

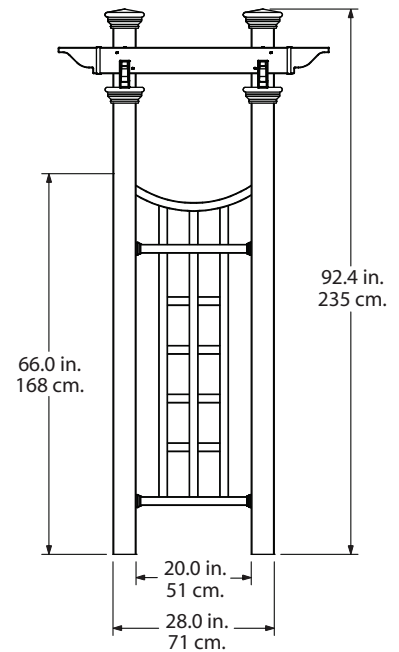
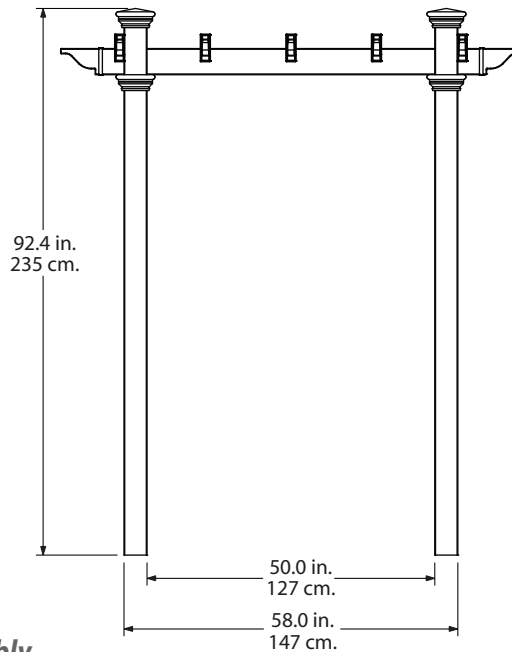
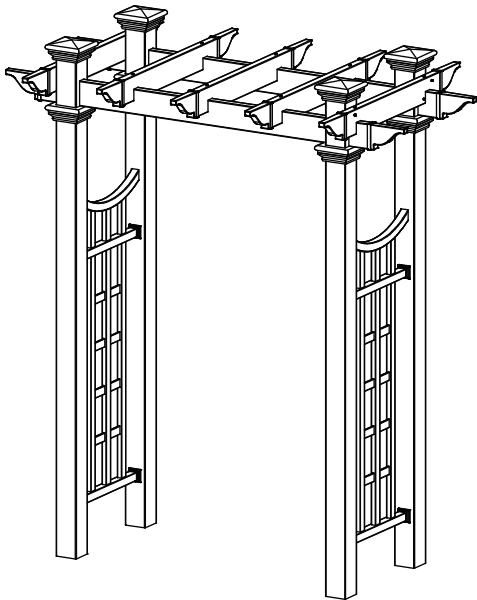
ASSEMBLY INSTRUCTIONS

New England
Arbors

Leadership by Design

www.newenglandarbors.com

The Fairfield Deluxe Arbor



Please read through before starting assembly.

IMPORTANT: CHECK THE INSIDE OF YOUR POSTS FOR ALL MATERIALS.

Check Box for These Contents

In the event of missing or defective parts please call our customer service dept. at **1 800 282 9346, ext #20** (Mon. to Fri. 8:00 AM to 4:00 PM EST).

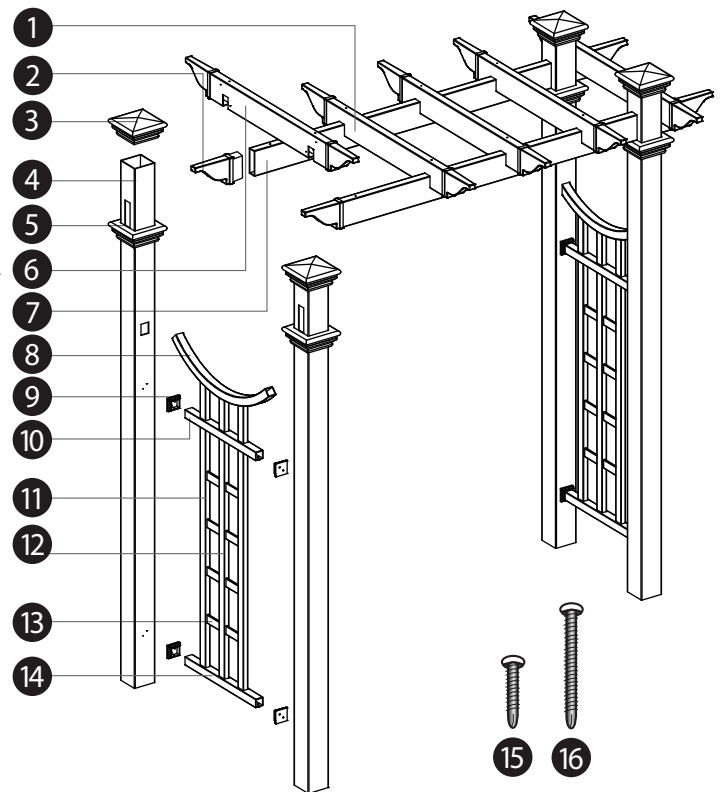
1. Middle Rafters (3) 1 1/2" x 4 1/2" x 33.5"
2. Pergola End Caps (4)
3. Post Caps (4)
4. Posts (4) 4" x 4" x 90.5"
5. Post Trims (4)
6. End Rafters (2) 1 1/2" x 4 1/2" x 33.5"
7. Carrying Beams (2) 1 1/2" x 4 1/2" x 66.5"
8. Side Panel Curved Top-Rails (2)
9. Sur-Fit Bracket for Side Panel Horizontals (8)
10. Side Panel Horizontal Mid-Rails (2) 1 1/2" x 1 1/2" x 19.75"
11. Side Panel Outside Vertical Spindles (Longer) (4) 7/8" x 1 1/2" x 52.75"
12. Side Panel Middle Vertical Spindles (Shorter) (2) 7/8" x 1 1/2" x 52.125"
13. Side Panel Horizontal Short Spindles (8) 1/4" x 1 1/2" x 11.85"
14. Side Panel Horizontal Bottom Rails (2) 1 1/2" x 1 1/2" x 19.75"
15. #8 x 1 1/2 in. (3.8 cm.) Stainless Steel Screws (for Sur-Fit Brackets) (24)
16. #8 x 3 in. (7.6 cm.) Stainless Steel Screws (for Rafters) (18)

Tools You Will Need

- Hammer
- Tape Measure
- Level
- Stool or Short Ladder
- Shovel or Auger
- Cordless Drill

General Information

- Read instructions through carefully before beginning assembly.
- When assembling components, place on a non-abrasive surface (i.e. shipping box) to avoid scratching.
- We recommend an area approx 10' x 8' for unobstructed assembling.
- You should not need to use excessive force when assembling components.

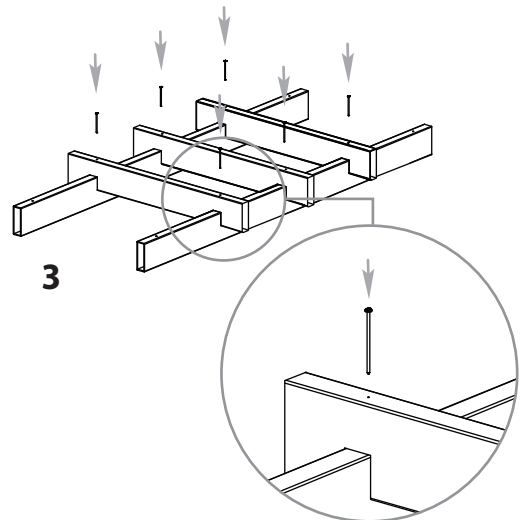
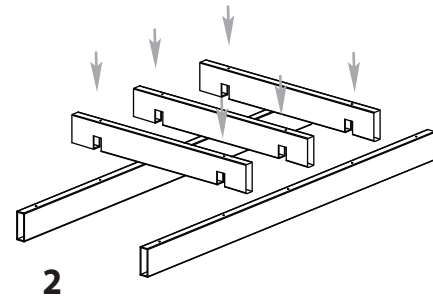
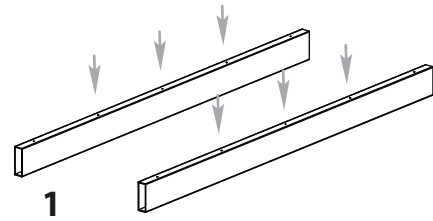


(Not to scale)

STEP ONE

Assemble the Pergola Top

- 1 Lay out the two carrying beams as illustrated with pre-drilled holes facing up.
- 2 Position the three middle rafters over the respective pre-drilled holes on the carrying beams as illustrated.
- 3 Using the 3" screws fasten the three middle rafters to the carrying beams.

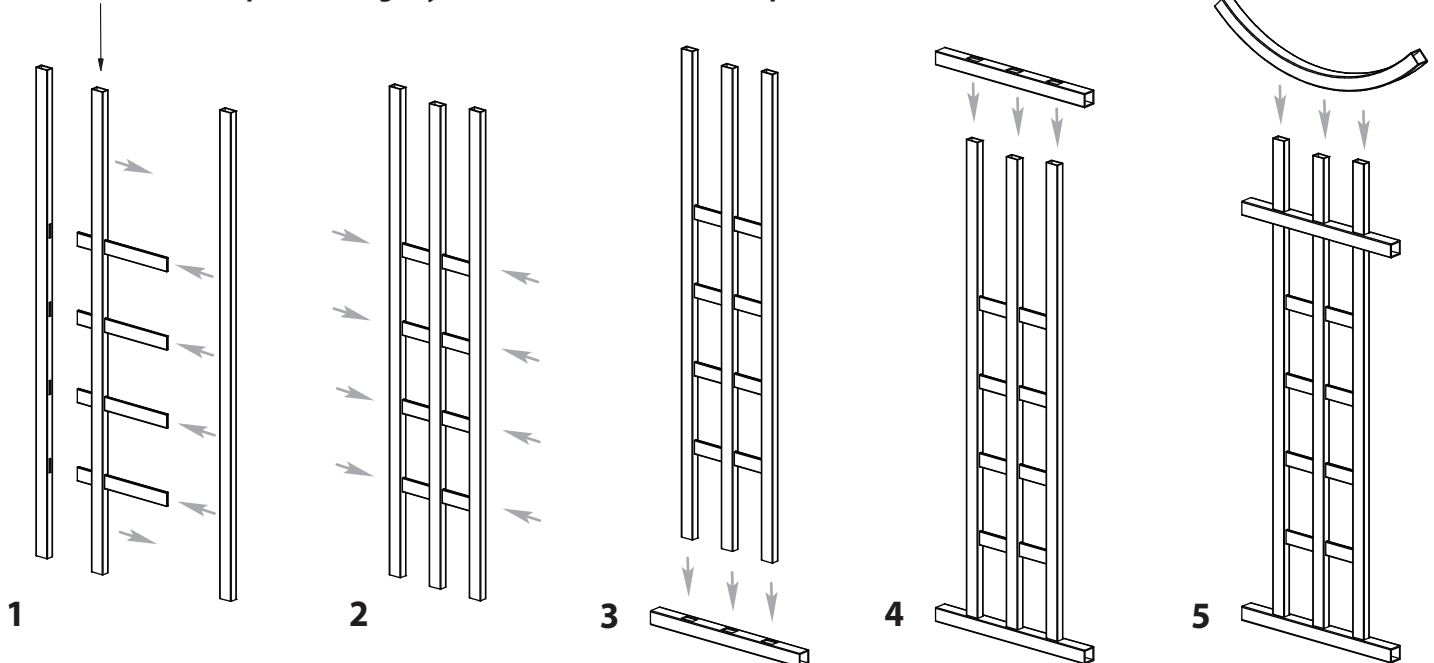


STEP TWO

Assemble the Side Panels

- 1 Insert the short horizontal spindles into the middle vertical spindle (holes on both sides).
- 2 Slide the two outside vertical spindles into position as illustrated (holes on one side).
- 3 Layout the bottom rail and insert the vertical spindles as illustrated.
- 4 Slide horizontal mid-rail over the vertical spindles as illustrated.
- 5 Slide the horizontal curved rail down over the vertical spindles as illustrated to complete one side panel.
- 6 Repeat for other side panel.

Note: Middle Spindle is slightly shorter than Side Vertical Spindles.

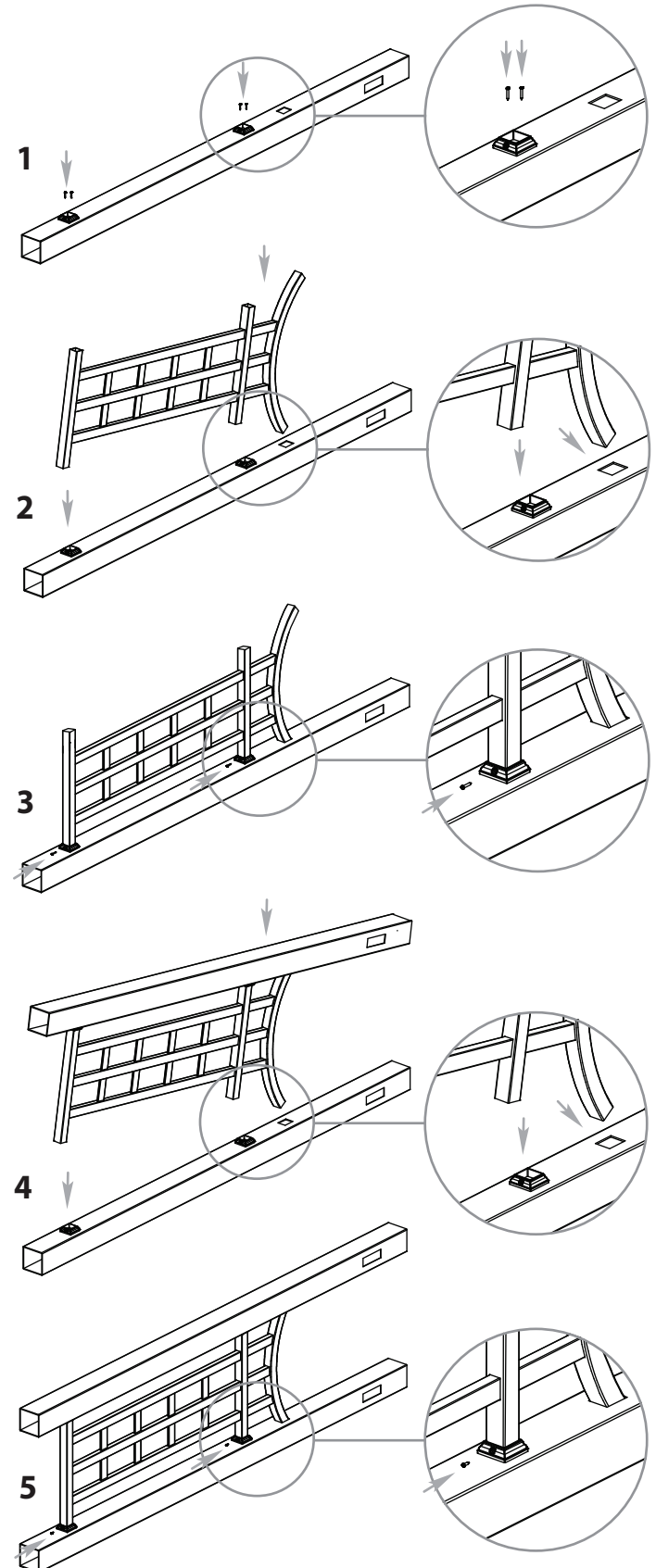


STEP THREE

Attach Sur-Fit Brackets

- 1** Attach Sur-Fit Brackets (using small screws) onto the posts using the pre-drilled holes as guides. Single hole on the side of brackets to face down.
- 2** Set out one post and complete the side panel by inserting the curved toprail first into the hole on the post, followed by the other two rails into the brackets on the post as illustrated.
- 3** Fasten horizontal rails into the Sur-Fit Brackets using small screws as illustrated. You will need a helper at this stage.
- 4** Layout the opposite post and insert the finished side panel with post connected as illustrated.
- 5** Fasten horizontal rail into Sur-Fit Brackets using small screws.
- 6** Repeat for other side panel.

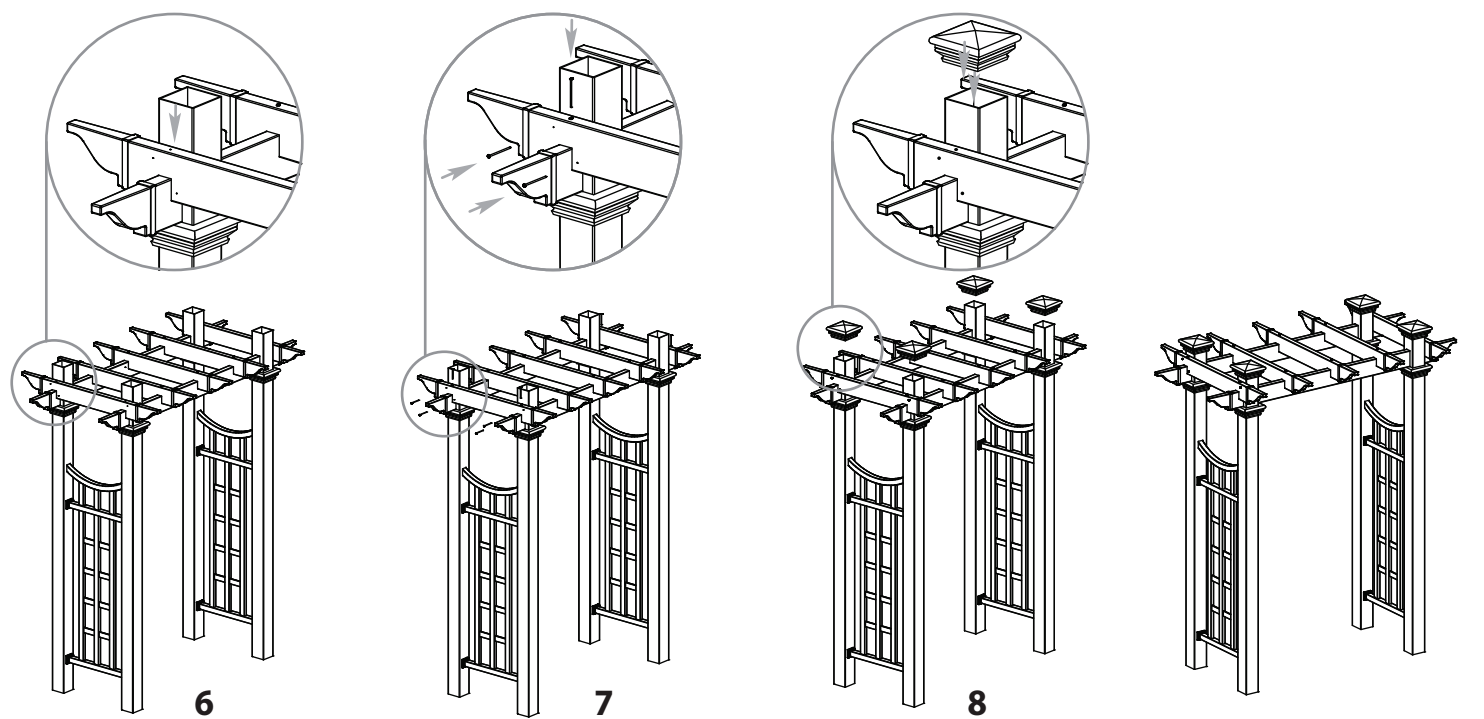
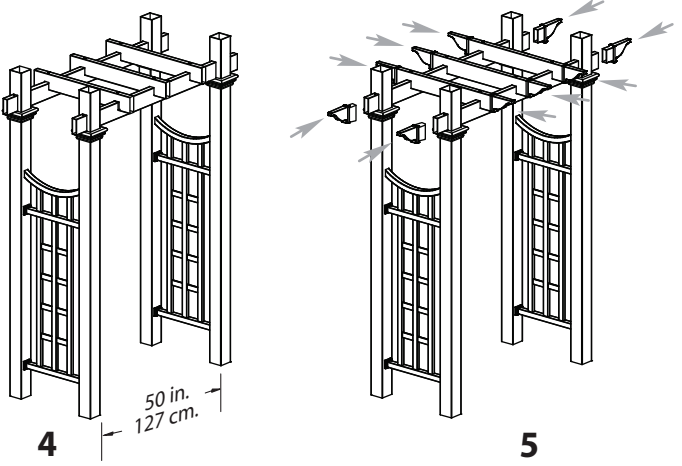
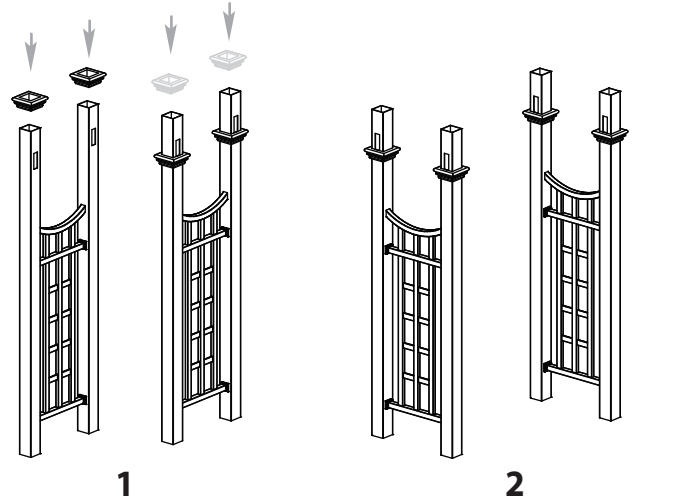
NOTE: Prior to installing Sur-Fit Brackets, insert a wood 4x4 post approximately 5 ft. (152.4 cm.) up the inside of vinyl cavity [purchase 4x4x8 to accommodate 3 ft. (91.45 cm.) in the ground] if you intend to hang a gate, attach a fence or are located in a high wind area.



STEP FOUR

Connect the Pergola Top to the Posts

- 1 Slide trim caps into place as illustrated.
- 2 Move side panels to their final location.
- 3 Insert the semi-assembled pergola top into the holes at the top of posts as illustrated.
- 4 Adjust the opening width to 50 in. (127 cm.).
- 5 Install pergola end caps as illustrated.
- 6 Position the two end rafters as illustrated.
- 7 Fasten into place both horizontally (2 locations) and vertically (1 location) using long screws as illustrated.
- 8 Place post caps on top of posts.



STEP FIVE

Install the Side Panels

You have Three Options to Complete this Step.

(All purchased separately)

OPTION ONE - If Your Arbor:

- is going to be installed with fencing or a gate
- is located in a high wind or hurricane area
- is located in ground conditions that are not level

Consider Using:

A - 4x4 Professional Post Extension Kit (30 in./76.2 cm. long), (Kit of 4)

- Purchase from New England Arbors, www.newenglandarbors.com
- Recommended to be installed in concrete footings
- Follow instructions included with the kit

- or -

B - 4 x 4 x 8' (243.8 cm.) Long Wood Post (4)

- Purchase separate from your local lumberyard
- Recommended to be installed in concrete footing

OPTION TWO - If Your Arbor:

- is intended to be used as a stand alone garden accent or pathway
- is located on level ground

Consider Using:

4 x 4 Aussie Augers (Kit of 4)

- Purchase from New England Arbors, www.newenglandarbors.com
- Instructions are included with the kit

OPTION THREE - If Your Arbor:

- is going to be installed onto pre-existing concrete or wood surface

Consider Using:

4 x 4 Surface Mount Kit

- Purchase from New England Arbors, www.newenglandarbors.com
- Follow instructions included with the kit

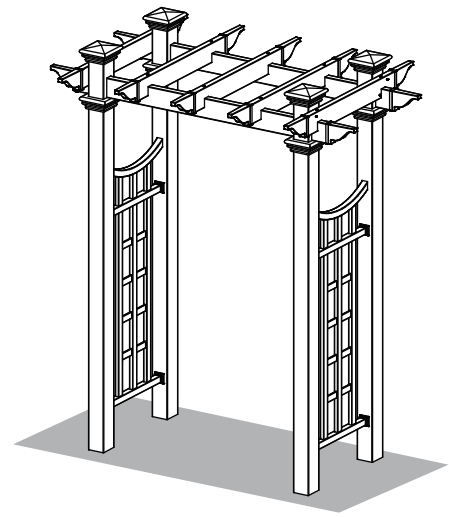
Into Earth with Concrete Footing (Option One)

(Assuming posts have been extended)

Arbors must be well secured to prevent tipping over from wind load, etc.

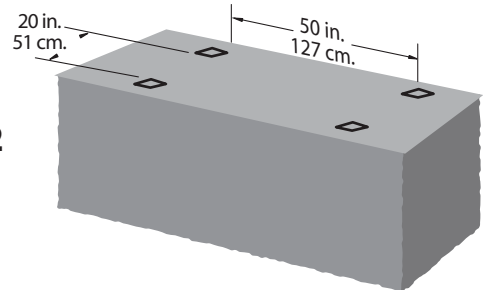
- 1 Move the arbor to its final location (*you will need a helper*).
- 2 When you have identified the location of each post, mark the positions of the ground and then move the arbor aside.
- 3 Excavate four holes approx 33 in. (83.8 cm.) deep. The location and excavation of these four holes is the most critical step and should be completed with care. The depth of these holes will allow the post extension (if chosen as option) joint to be hidden 3 in. (7.6 cm.) under the ground.
- 4 Carefully move the arbor back into position and level both horizontal and vertically.
- 5 Backfill the holes with either gravel or cement.

1



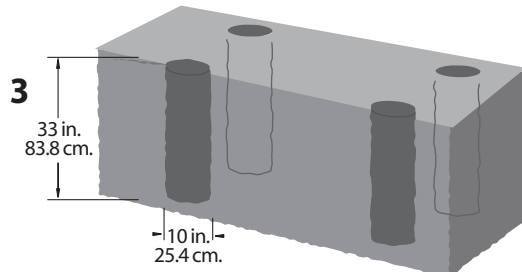
(Posts have been extended with 4x4 Professional Post Extension Kit)

2



(Measurements shown are inside to inside of posts)

3



4

Shown with
Optional 4 x 4
Post Extensions

